



PRODUCT CATALOGUE

---

SAFETY ■ QUALITY ■ RELIABILITY



# Aluminium tray



Peace of mind knowing our trays are secured safely with our crash tested mounting system

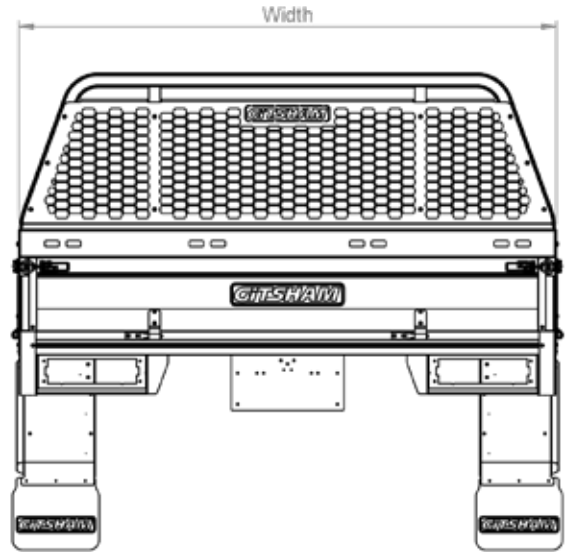
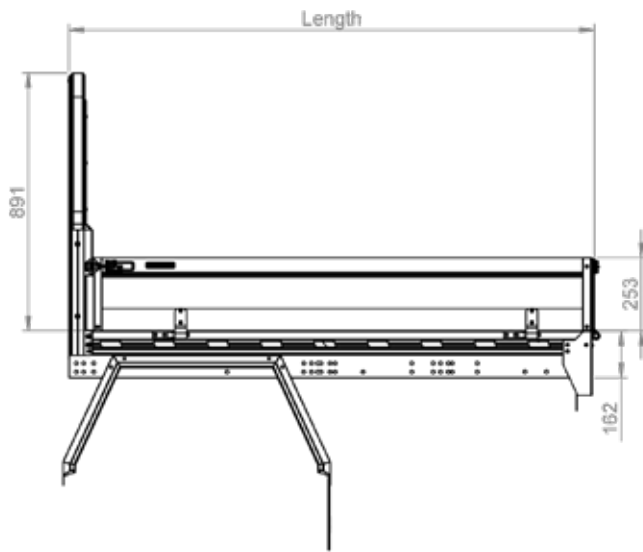
- Strong, Lightweight Aluminium Construction with Stainless Steel Hinges and Over-centre Catches.
- Fully Anodised to accentuate and protect against harsh environments.
- Dual Integrated Lashing Rail internally and externally
- Full Mesh barrier with Integrated Lashing points
- Ribbed Anti-slip Floor - Heavy Duty Floor Extrusion
- Optional Bolt-on Rear Hoop
- 3 Sizes available to suit a range of vehicles
- Enclosed, angular mudguard design enhances strength and aesthetics
- Seamless integration with standard OEM cab chassis tail lights

# Aluminium Ute Trays

Enhance your vehicles payload with versatility



## Ute Tray Dimensions



Cabin Size	Length	Width	Weight(kg)
Dual Cab	1810	1860	145
Extra Cab	2115	1860	155
Single Cab	2420	1860	175

All measurements in mm

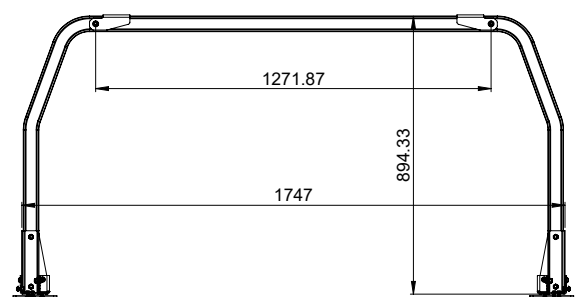
Installation kits are vehicle specific

## Optional Accessories



- Rear ladder Rack is perfect for storing long goods out of the way
- Simply Fold-Up Ladder pegs when needed
- Pegs are also available for the front Headboard bar
- Many spare parts available

Part No.	Description
16013300.97	Rear Ladder Rack inc.Ladder pegs & Mtg Kit
16013301.97	Fold-Up Ladder Peg Kit
Vehicle Specific	LED Tail light kit



# Steel tray



The perfect heavy duty tray for whatever the harsh Aussie climate can throw at it

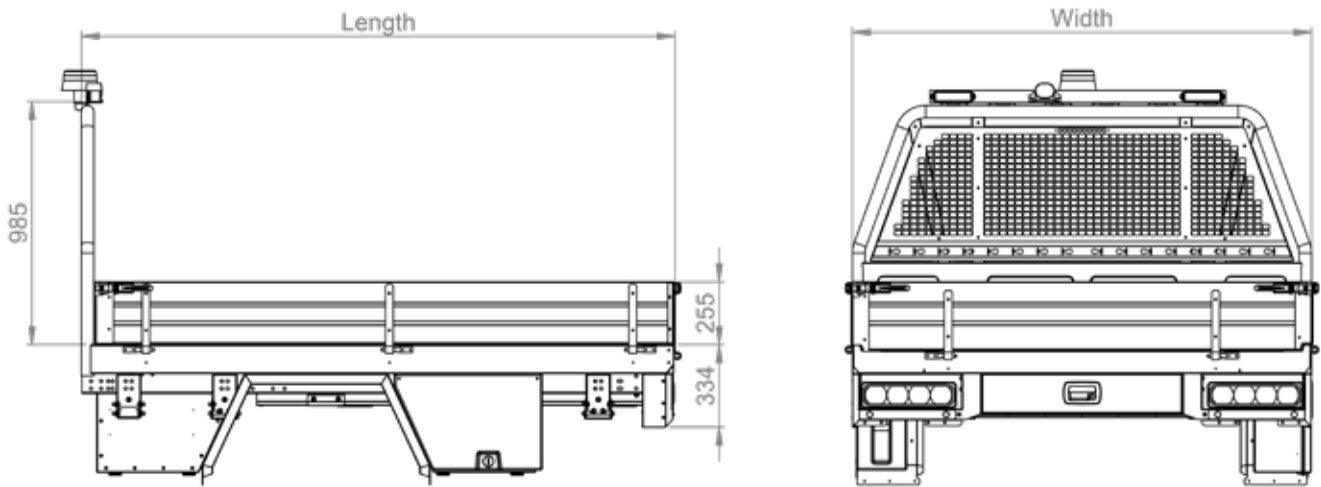
- Extra heavy duty steel tray
- Fully Welded for unmatched protection and mine-site ready
- Featuring fully powder coated steel
- Anti-slip heavy duty floor
- Integrated mesh barrier
- Dual lashing rails - built for the harshest conditions
- Available in Single Cab, Extra Cab and Dual Cab

# Steel Ute Trays

Heavy duty construction



## Ute Tray Dimensions



Cabin Size	Length	Width	Weight(kg)
Dual Cab	1700	1860	> 290 Kg
Extra Cab	2100	1860	> 320 Kg
Single Cab	2400	1860	> 350 Kg

## Optional Accessories

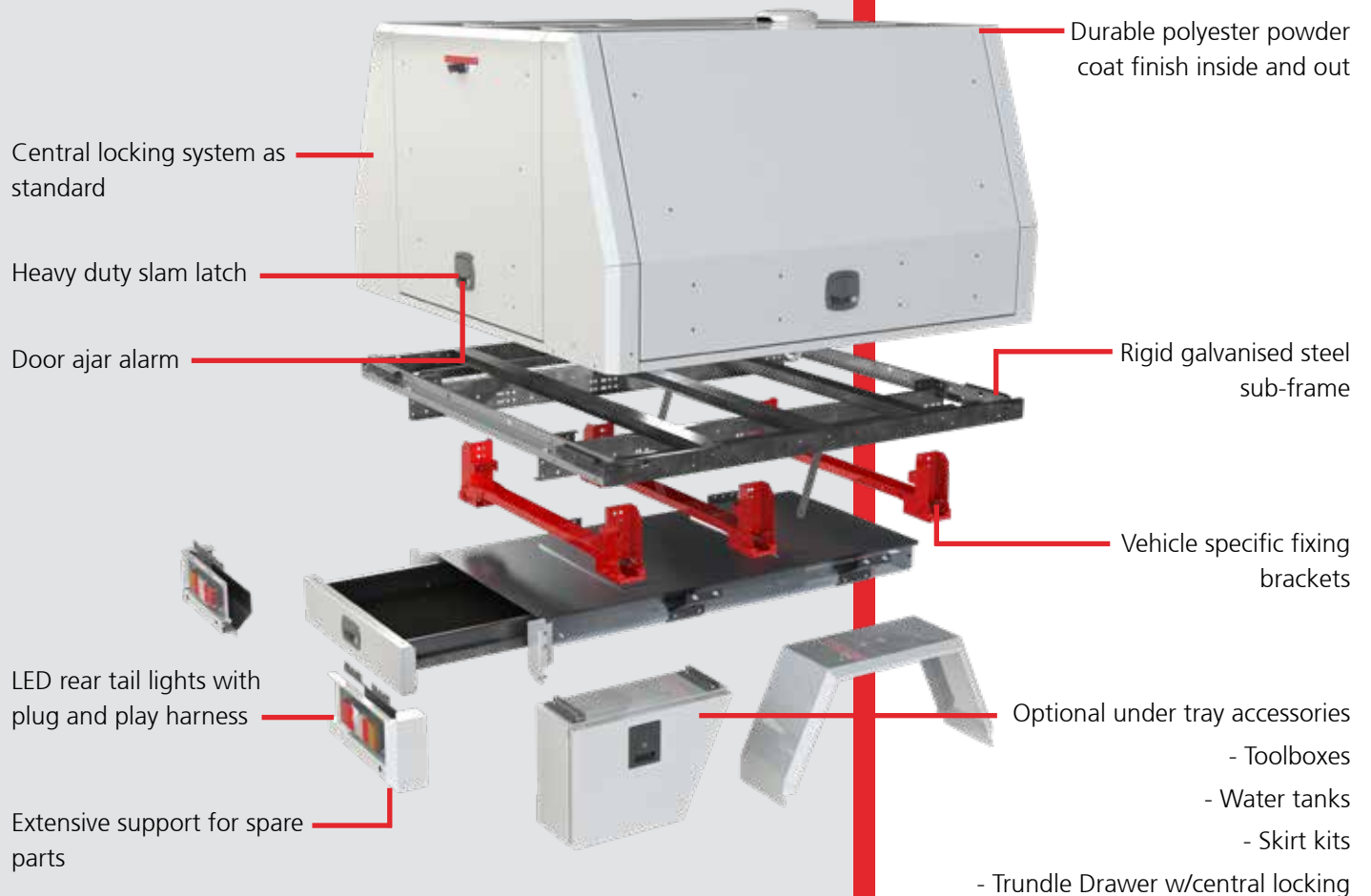


- Under Tray toolboxes
- Large Toolboxes
- Under Tray Toolboxes
- Rear facing Work lights
- Amber beacons
- LED Lights

# service canopy



- Aluminium structure to increase payload capacity
- Tidy workspace creates a great first impression
- Central Locking to ensure your tools stay safe
- Australian owned and manufactured
- LED Tail Lights
- Integrated wiring channels
- Flexible vehicle specific fixing kits - Upgrade to new vehicle with a new kit



**The only Australian Made and Crash Tested Canopy**



# Service Canopy

Efficient storage for Utes

Optimised to your vehicle of choice - eg. Toyota Hilux, Ford Ranger, Isuzu D-Max and many more

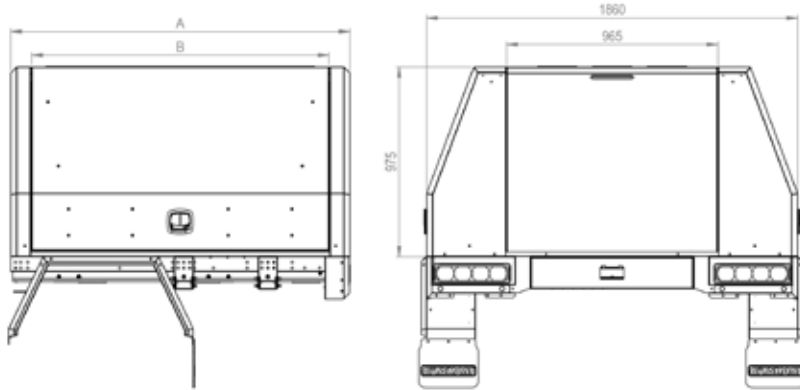


Installation from 650

**\*Door ajar alarm, Central locking\*  
and Interior lights as standard**

## Optional Configurations Available

- 2 Door
- 2 Door with front and rear window
- 3 Door
- 3 Door with front and rear window
- 3 Door with 3 windows front, rear and LH Side



Cabin Size	A	B	Weight (kg)
Dual Cab	1700	1400	230
Super Cab	2100	1800	270
Single Cab	2400	2100	300

All measurements in mm



### General Trade

- 2 x Low Front Shelves 248D
- 4 x Low Front Shelves 360D
- 20 x Low Front shelf dividers



### Electrical / Service Technician

- 2 x Low Front Shelves 248D
- 1 x Low Front Shelf 360D
- Drop Front Shelf 360D
- 2 x Varioslide drawers
- 2 x Systainer<sup>3</sup> Cases
- 8 x Low Front shelf Dividers
- 4 x Bottbox Storage bins



### Recreational / Tradie Workspace

- Twin Drawer Unit 2 x 750D x 625W x 370H
- Bolt on Top Tray Lip kit for Drawer Unit
- 1 x Tilt Fridge Slide
- 1 x Fridge Cage





# Available in Black



- Aluminium structure to increase payload capacity
- Australian owned and manufactured
- LED Tail Lights
- Integrated wiring channels
- Flexible vehicle specific fixing kits - Upgrade to new vehicle with a new kit
- The only Australian made and crash tested canopy



**The Perfect Cross Over  
Canopy, for Work and Play**

Page : 10



# Black Canopy

Efficient storage for utes

Optimised to your vehicle of choice - eg. Toyota Hilux, Ford Ranger, Isuzu D-Max and many more

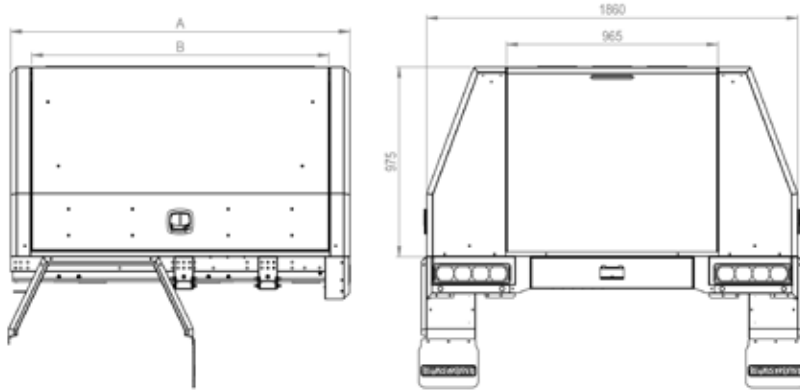


Installation from 650

**\*Door ajar alarm, Central locking\*  
and Interior lights as standard**

## Optional Configurations Available

- 2 Door
- 2 Door with front and rear window
- 3 Door
- 3 Door with front and rear window
- 3 Door with 3 windows front, rear and LH Side



Cabin Size	A	B	Weight (kg)
Dual Cab	1700	1400	230
Super Cab	2100	1800	270
Single Cab	2400	2100	300

All measurements in mm



## Optional Accessories:

- Roof racks, 2 or 3 bars
- Under tray toolboxes
- Tilting fridge slide
- Fridge cage - small and large

- Drawer modules
- Fold down ladder
- Single tyre carrier
- Twin tyre carrier



- Rear shelf
- Rear trundle drawer
- Skirt kits
- Uno3 rack modules
- Lockable jerry can holder
- Fold out steps
- Internal tyre carrier
- Under tray water container







- Strong, lightweight aluminium extrusion
- Black anodising to accentuate and protect
- End cap and bracket have a tie down loop (optional non tie down end cap)
- Durable PVT rubber
- Comes in 2 bar and 3 bar kits
- 4 sizes widths available:
  - 1250mm
  - 1400mm
  - 1500mm
  - 1650mm

Part No.	Description
16012477	2 Bar canopy kit
16012478	3 Bar canopy kit

## Tradie Platform with Sides

- Folded Aluminium Side Rails
- Durable anodised aluminium extrusion cross bars
- Strong 4mm marine grade aluminium mounting brackets



Part No.	Description
16012423.83	Canopy Roof Platform w/sides

## Flat Top Tradie Platform

- Flat top for easier side loading
- Utilising the same strong parts as our roof racks
- Sleek texture black finish to stand out



Part No.	Description
16012422.83	Canopy Roof Platform Flat-top

# Our Under Tray Accessories

Utilise your space



## Under Tray Toolboxes



- An efficient use of space
- Allows for that extra storage space
- Lockable handle keeps your stored goods safe
- Sealed door keeps the dirt out

Part No.	Description
16012349.88	Under Tray tool box RHS
16012350.88	Under Tray tool box LHS

## Water Container



- Water container comes in 3 different sizes
- All sizes come with a soap bottle
- Durable Polyethelyne construction

Part No.	Description
16012380.83	Water Tank & Bracket Kit 30L + Soap
16012381.83	Water Tank & Bracket Kit 15L + Soap
16012382.51	Water Tank & Bracket Kit 70L

## Gas ventilation kit



- Allows the toolbox to be ventilated allowing you to store small gas bottles
- comes with 2 lashing points to ensure safe travel for your gas bottle

Part No.	Description
16012366	Toolbox Gas Venting Kit

## Dual battery kit



- Using the space efficiently
- Battery can be easily accessed
- Comes with a clamping mechanism allowing for safe travel

Part No.	Description
16012364.51V	Toolbox Battery Tray Kit

## Twin tyre carrier and shelf



- Keep your spare tyres locked and secure
- Ergonomic fold down making it easy for the user
- Comes with a shelf to ensure a rigid method of attachment
- Gas strut assisted to help with lifting

Part No.	Description
16012418.88	Twin Rear Tyre Carrier w/shelf

## Jerry can holder and tyre carrier



- Jerry can holder has an over centre latch which can be locked with a padlock
- Textured powdercoat finish stands out
- The lid folds all the way down for ease of jerry can removal

Part No.	Description
16012419.88	Single Rear Tyre Carrier w/shelf
16012474.83	Lockable Jerry Can Holder

## Fold up ladder and tyre carrier



- Fold Down ladder has durable textured powdercoat
- Secure locking mechanism to prevent the ladder from falling down whilst driving
- Fits over the rear shelf allowing you to carry a spare tyre carrier as well

Part No.	Description
16012419.88	Single Rear Tyre Carrier w/shelf
16012421.83	Fold Up Ladder

## Spare Wheel Carrier Tub/Tray



- Universal Mounting system for your wheel
- Strong steel tube construction
- Powder coated for a tidy look

Part No.	Description
S15BA046	Spare Wheel Carrier Universal Tub/Tray Mounted

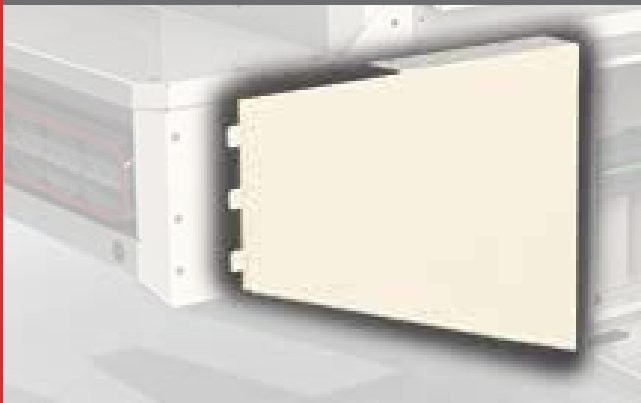
## Fold Down Step & Handle



- This step tucks away underneath the canopy to stay safe during travel
- Simply slide the pin and fold it down
- Making it much safer to access the roof
- D handle allows the user to hold themselves on the step safely

Part No.	Description
16012400.83	Single Fold Out Step and D handle

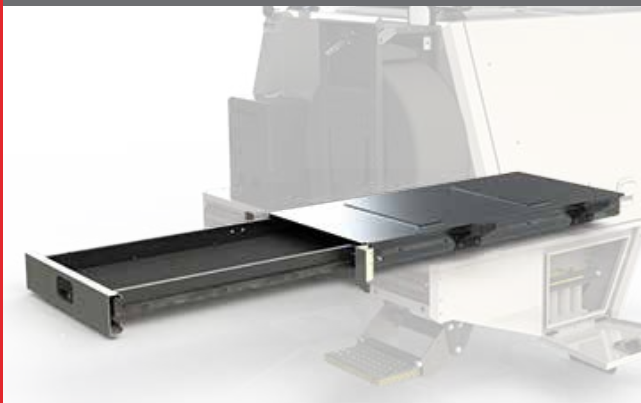
## Skirt Kit



- The skirt kit fills the empty space around the bottom of the canopy
- Available to suite a wide range of vehicles to make a snug fit along the vehicle
- Multiple lengths to suit all sizes of canopy and rear tyre shelves

Part No.	Description
16012xxx	Vehicle Specific Skirt Kits

## Trundle Drawers



- Internal dimensions are, 640W x 100H
- Lockable drawer handle keeping your tools safe
- Optional central locking available
- Completely sealed when shut, keeping all the dirt out

Part No.	Description
16012371.83	Trundle Drawer 1200D
16012372.83	Trundle Drawer 1600D
16012373.83	Trundle Drawer 2000D
16012374.83	Trundle Drawer 2300D

## Worklight Brackets



- Perfect for a reduced light environment
- Brackets mount on the top corners so the wiring stays out of the way in the box section
- Durable powder coat finish to match the canopy

Part No.	Description
16012439.88	Worklight Bracket Kit for Canopy

# Our Internal Accessories

Kit out your workspace



## MaxTrax Holder - Canopy Door



- Perfect storage for your MaxTrax
- They stay safe in the locked canopy
- Simply un-hook the bungee strap and slide them out
- Comes with stronger gas struts so you dont feel the difference in the door

Part No.	Description
S21BA073.88V	MaxTrax Holder Kit DCAB Canopy Door
S21BA193.88V	MaxTrax Holder Kit ECAB Canopy Door
S21BA368.88V	MaxTrax Holder Kit SCAB Canopy Door

## Suspended Shelf



- Shelf is mounted to the ceiling rails freeing up more floor space for better versatility
- Perfect for storing your lighter goods out of the way
- Available in multiple depths to best suit your needs

Part No.	Description
S19BA604	Suspended Shelf 695W x 1500D x 150H
S21BA572	Suspended Shelf 695W x 1200D x 150H
S23BA055	Suspended Shelf 695W x 1050D x 150H

## Drawer Modules



- Many sizes of drawers, choose what is best for you
- Top tray or carpeted top available for a clean workspace
- Strong, durable roller bearings for a heavy load
- Drawer handles are lockable keeping your goods safe

Part No.	Description
TBA	Drawer Modules - Single and Configured 475-725W x 600-1950D x 250-420H

## Bott Uno3 Rack Modules for canopies



- Many different configurations available to best suit your desires
- keep your workspace neat and tidy
- Racks are bolted to the floor and the ceiling to ensure safe transportation

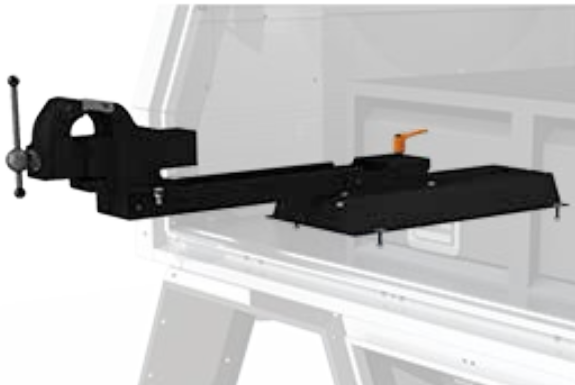
Part No.	Description
TBA	Uno3 Configured Rack Module 478-1486W x 500-1500H x 360/472D

# Our Internal Accessories

Kit out your workspace



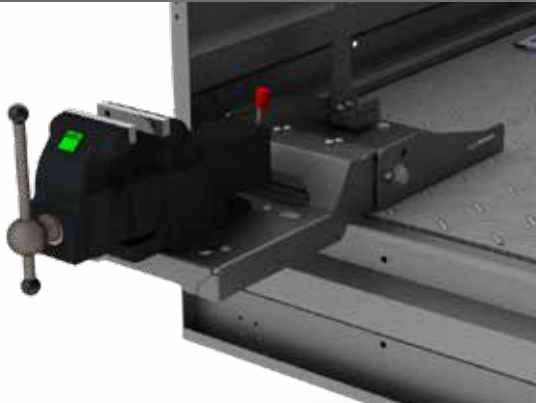
## Slide Out Vice Platform



- Strong sliding vice platform allows you to work out the canopy
- Simply undo the clamp, slide the vice out to the desired distance and clamp it in place
- Strong base is bolted through the canopy floor making sure it is secure

Part No.	Description
16012466.19	Slide Out Vice Platform

## Fold Down Vice Holder for Tray Only



- Used on ute trays only
- Folds 90 degrees so your tray sides can close
- Easy latch mechanism to keep it secure whilst driving
- Bolted through the tray for a strong stance

Part No.	Description
S20BA258	Tray Mount Vice Holder - Folds Down

## Ford Ranger MY22+ Switch Bracket



- Goes inside the cabin on the dashboard to mount your accessory switches into
- Textured black powdercoat finish upgrades your interior
- Perfect for accessorising your vehicle

Part No.	Description
S22BA176.83	Switch Mounting Bracket Ranger MY22+

## Bott Uno3 Rack Modules for vans



- Many different configurations available to best suit your desires
- keep your workspace neat and tidy
- Racks are bolted to the floor and the ceiling to ensure safe transportation

Part No.	Description
TBA	Uno3 Configured Rack Module 478-1486W x 500-1500H x 360/472D

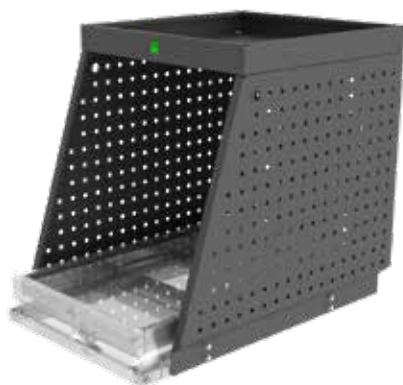
## Tilting fridge Slides S + L



- Tilts forwards and slides out for easier access
- Small internal dimensions - 391mm W x 683mm D
- Large internal dimensions - 551mm W x 900mm D
- Angle of tilt 42 Degrees

Part No.	Description
16014365.83	Tilting fridge slide small
16014366.83	Tilting fridge slide large

## Fridge Cages S + L



- Protects your fridge and slide
- Small internal dimensions - 476mm W x 591mm H
- Large internal dimensions - 636mm W x 591mm H
- Suitable with tilting slide

Part No.	Description
16014371.83	Fridge cage small 40L
16014372.83	Fridge cage large 60-80L

## Fridge Slides S + L



- Roller bearing slides
- locks closed
- Small internal dimensions - 391mm W x 698mm D
- Large internal dimensions - 551mm W x 810mm D

Part No.	Description
16014303.83	Fridge slide small
16014304.83	Fridge slide large

## Drawer fridge mounting kits



- Keeps your fridge protected
- Allows your fridge to be mounted in multiple ways
- Suits Engel and Dometic 30L fridges

Part No.	Description
S17BA012.83	Fridge Mounting Kit 30L Dometic
S24BA121.83V	Fridge Mounting Kit 30L Engel

Part No.	Description	P.g No.
160132XX.98M	Dual Cab Aluminium Ute Tray	3
160131XX.98M	Extra Cab Aluminium Ute Tray	3
160130XX.98M	Single Cab Aluminium Ute Tray	3
160130XX.86M	Dual Cab Steel Ute Tray	5
160130XX.86M	Extra Cab Steel Ute Tray	5
160130XX.86M	Single Cab Steel Ute Tray	5
160122XX.88	Dual Cab Service Canopy	7
160121XX.88	Extra Cab Service Canopy	7
160120XX.88	Single Cab Service Canopy	7
160120XX.83	Dual Cab Adventure Canopy	9
160121XX.83	Extra Cab Adventure Canopy	9
160122XX.83	Single Cab Adventure Canopy	9
16012477	2 Bar canopy kit	10
16012478	3 Bar canopy kit	10
16012423.83	Canopy Roof Platform w/sides	11
16012422.83	Canopy Roof Platform Flat-top	11
16012349.88	Under Tray tool box RHS	12
16012350.88	Under Tray tool box LHS	12
16012380.83	Water Tank & Bracket Kit 30L + Soap	12
16012381.83	Water Tank & Bracket Kit 15L + Soap	12
16012382.51	Water Tank & Bracket Kit 70L	12
16012366	Toolbox Gas Venting Kit	12
16012364.51V	Toolbox Battery Tray Kit	12
16012418.88	Twin Rear Tyre Carrier w/shelf	13
16012419.88	Single Rear Tyre Carrier w/shelf	13
16012474.83	Lockable Jerry Can Holder	13
16012421.83	Fold Up Ladder	13
S15BA046	Spare Wheel Carrier Universal Tub/Tray Mounted	13
16012400.83	Single Fold Out Step and D handle	14
16012411.88	Skirt Kit suits RH & LH Toolboxes DCAB Hilux MY15+	14
16012441.88	Skirt Kit suits RH & LH Toolboxes DCAB Dmax MY21+	14

Part No.	Description	P.g No.
16012448.88	Skirt Kit suits RH & LH Toolboxes DCAB LC70	14
16012450.88	Skirt Kit suits RH & LH Toolboxes DCAB BT-50 MY21+	14
16012458.88	Skirt Kit suits RH & LH Toolboxes DCAB Ranger MY22+	14
16012465.88	Skirt Kit suits RH & LH Toolboxes DCAB Amarok MY23+	14
16012371.83	Trundle Drawer 1200D	14
16012372.83	Trundle Drawer 1600D	14
16012373.83	Trundle Drawer 2000D	14
16012374.83	Trundle Drawer 2300D	14
16012439.88	Worklight Bracket Kit for Canopy	14
S21BA073.88V	MaxTrax Holder Kit DCAB Canopy Door	15
S21BA193.88V	MaxTrax Holder Kit ECAB Canopy Door	15
S21BA368.88V	MaxTrax Holder Kit SCAB Canopy Door	15
S19BA604	Suspended Shelf 695W x 1500D x 150H	15
S21BA572	Suspended Shelf 695W x 1200D x 150H	15
S23BA055	Suspended Shelf 695W x 1050D x 150H	15
S21BA578.19	Drawer Module & Top Tray 625Wx850Dx370H	15
S21BA644.19	Drawer Module & Top Tray 525Wx850Dx370H	15
S24BA218.19	Drawer Module & Top Tray 525Wx750Dx370H	15
S24BA272.19	Drawer Module & Top Tray 525Wx1150Dx370H	15
19532011.19S	Uno3 General Trade Pack Toyota Hiace MY19+	16
16012466.19	Slide Out Vice Platform	16
S20BA258	Tray Mount Vice Holder - Folds Down	16
S22BA176.83	Switch Mounting Bracket Ranger MY22+	16
16014365.83	Tilting fridge slide small	17
16014366.83	Tilting fridge slide large	17
16014371.83	Fridge cage small 40L	17
16014372.83	Fridge cage large 60-80L	17
16014303.83	Fridge slide small	17
16014304.83	Fridge slide large	17
S17BA012.83	Fridge Mounting Kit 30L Dometic	17
S24BA121.83V	Fridge Mounting Kit 30L Engle	17



Email: [sales@gitsham.com.au](mailto:sales@gitsham.com.au)

Tel: 1800 182 343

[www.gitsham.com.au](http://www.gitsham.com.au)

